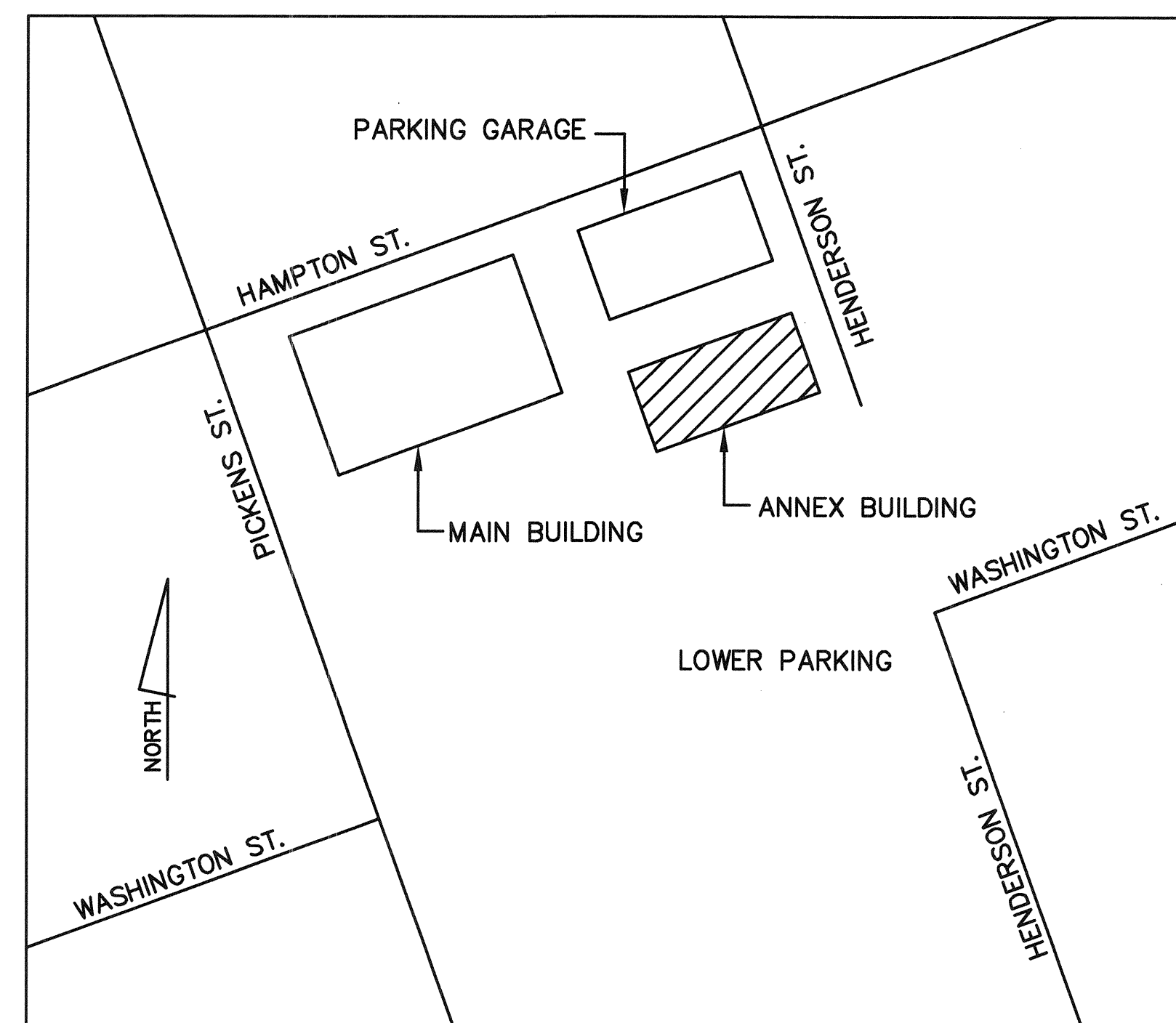


CRF DM 1600 HAMPTON ANNEX ROOF REPLACEMENT

1600 HAMPTON ST.
STATE PROJECT NO. H27-6094
UNIVERSITY OF SOUTH CAROLINA
COLUMBIA, SOUTH CAROLINA

DRAWING INDEX

SHEET NO.	DRAWING TITLE
R1	EXISTING ROOF PLAN
R2	NEW ROOF PLAN
R3	SECTIONS AND DETAILS
R4	SECTIONS AND DETAILS

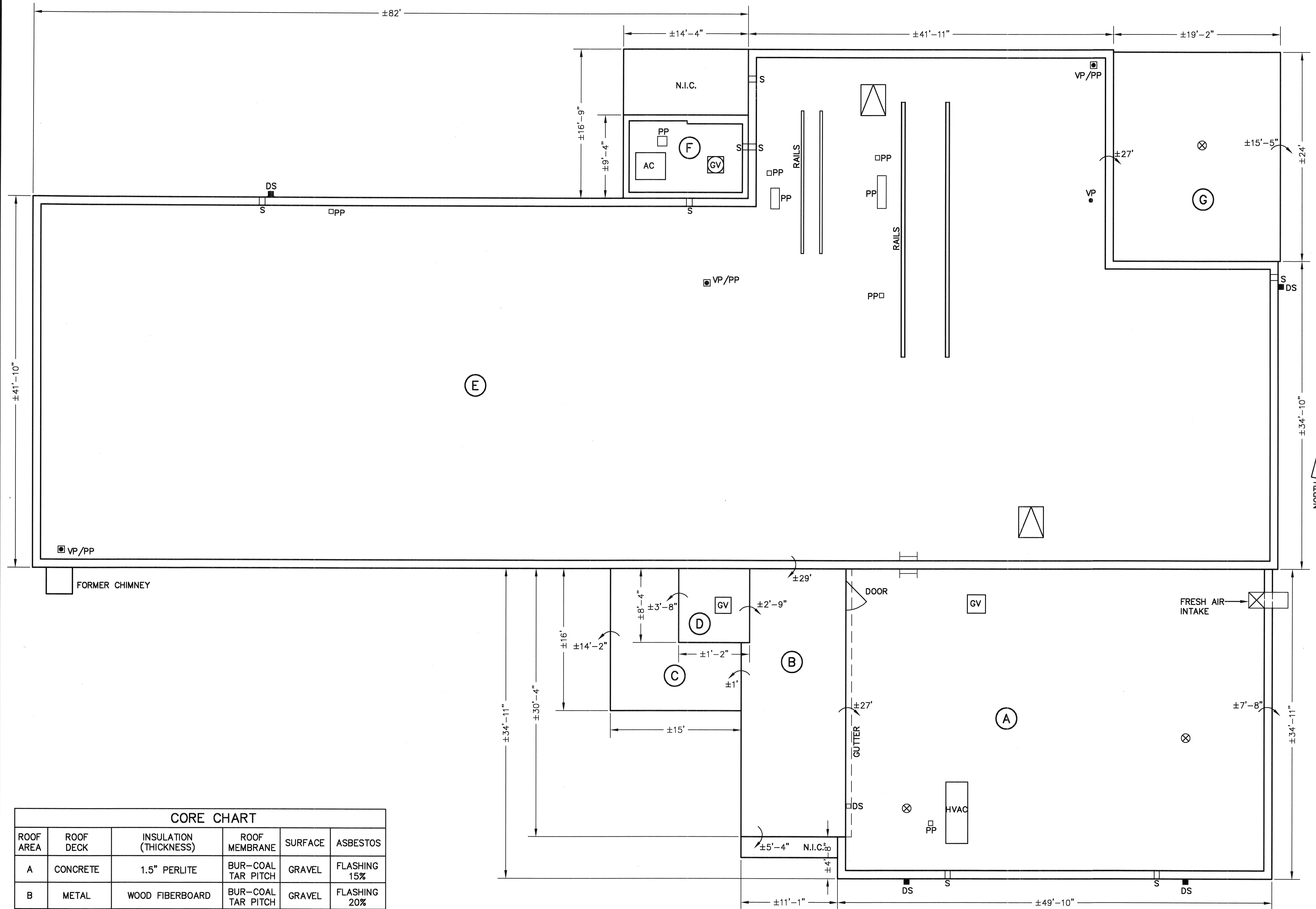


LOCATION MAP

FLOYD ABRAMS CO.
P.O. BOX 6136
COLUMBIA, SOUTH CAROLINA 29260-6136
(803) 343-1272

LEGEND

- ⊗ ROOF DRAIN
- ▽ ROOF HATCH
- GV GRAVITY VENTILATOR
- AC AC/HVAC
- PP PITCH PAN
- VP/PP VENT PIPE IN PITCH PAN
- ±27' CHANGE IN ROOF ELEVATION (DOWN)
- S SCUPPER
- DS DOWNSPOUT
- ┆ LADDER



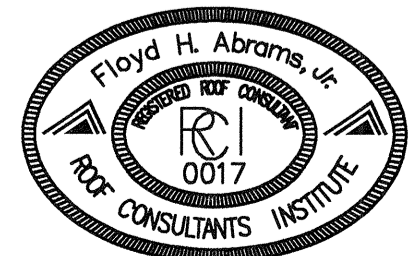
EXISTING ROOF PLAN
SCALE: 3/16"=1'-0"

CORE CHART

ROOF AREA	ROOF DECK	INSULATION (THICKNESS)	ROOF MEMBRANE	SURFACE	ASBESTOS
A	CONCRETE	1.5" PERLITE	BUR-COAL TAR PITCH	GRAVEL	FLASHING 15%
B	METAL	WOOD FIBERBOARD	BUR-COAL TAR PITCH	GRAVEL	FLASHING 20%
C	METAL	3" PERLITE	BUR-COAL TAR PITCH	GRAVEL	FLASHING 2%
D	METAL	PERLITE POLYISOCYANURATE 3"	BUR-COAL TAR PITCH	GRAVEL	FLASHING 2%
E	CONCRETE	1.5" FIBERGLASS	BUR-COAL TAR PITCH	BUR MODIFIED BITUMEN	FLASHING 25%
F	METAL	1.5" POLYISOCYANURATE	EPDM	ROCK BALLAST	N/A
G	METAL	PERLITE POLYISOCYANURATE 3.5"	BUR-COAL TAR PITCH	GRAVEL	FLASHING N/D

N/D NOT DETECTED

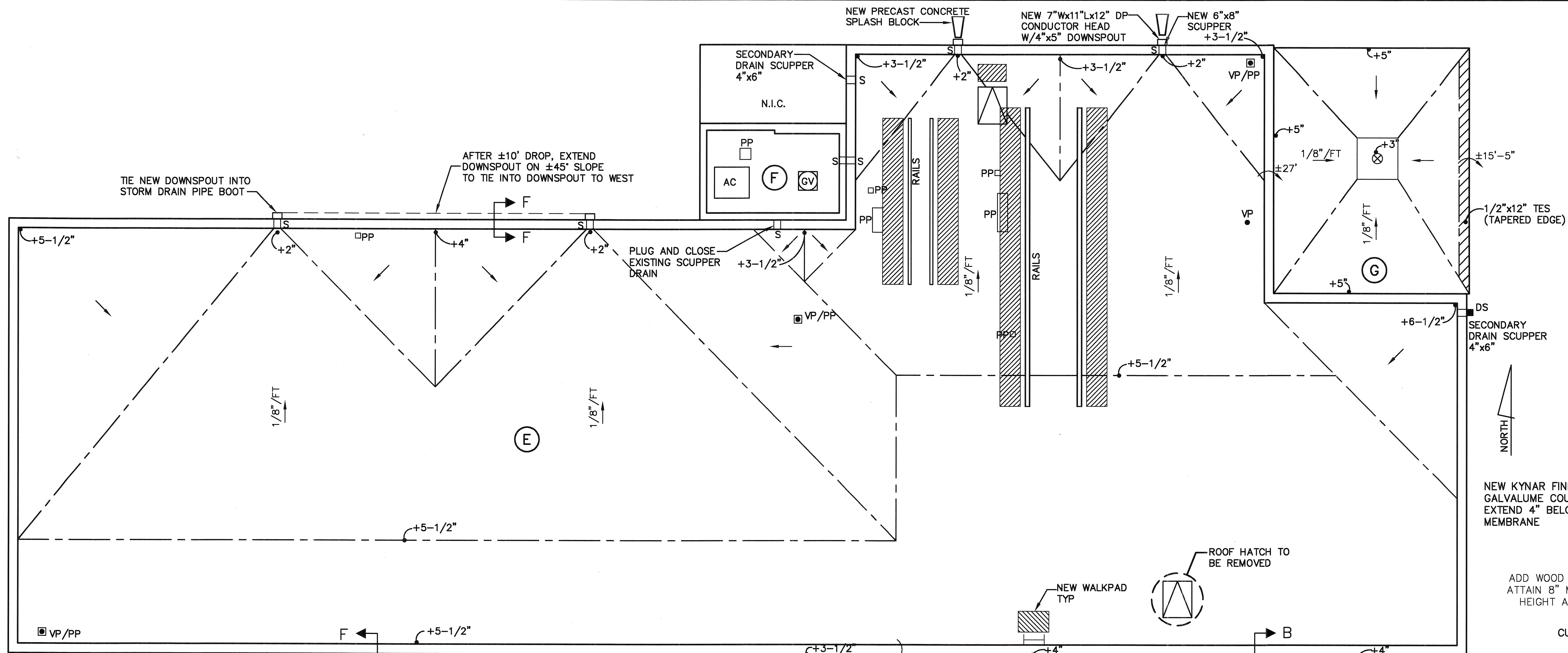
© 2011 FLOYD ABRAMS CO. THIS DRAWING IS AN INSTRUMENT OF SERVICE AND MAY NOT BE REUSED OR REPRODUCED WITHOUT AUTHORIZATION.



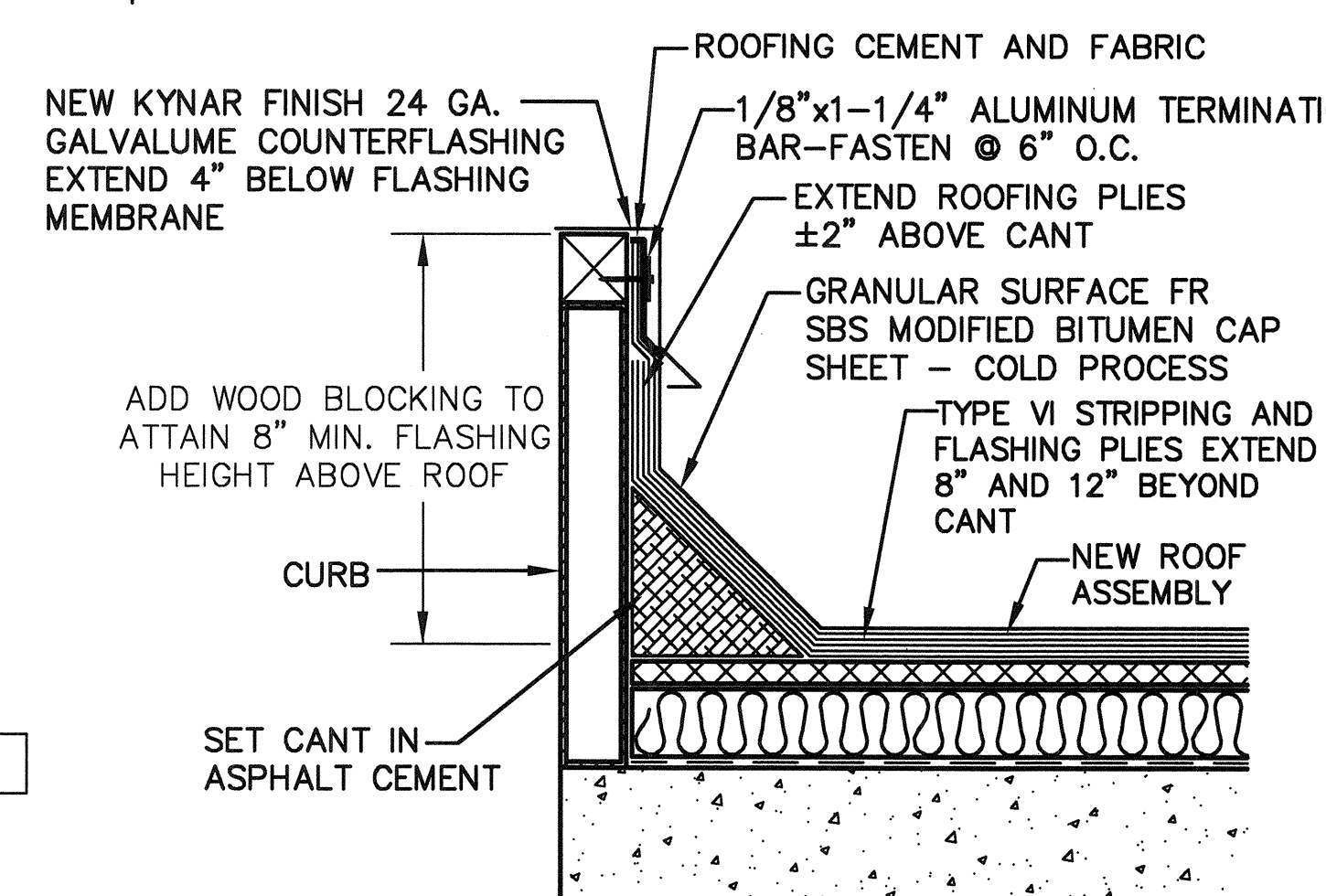
REV. NO.	DESCRIPTION	DATE
	CR4F DM 1600 HAMPTON ANNEX ROOF REPLACEMENT EXISTING ROOF PLAN STATE PROJECT NO. H27-6094 UNIVERSITY OF SOUTH CAROLINA COLUMBIA, SOUTH CAROLINA	

FLOYD ABRAMS COMPANY COLUMBIA, SOUTH CAROLINA	Roof Consulting Services
--	--------------------------

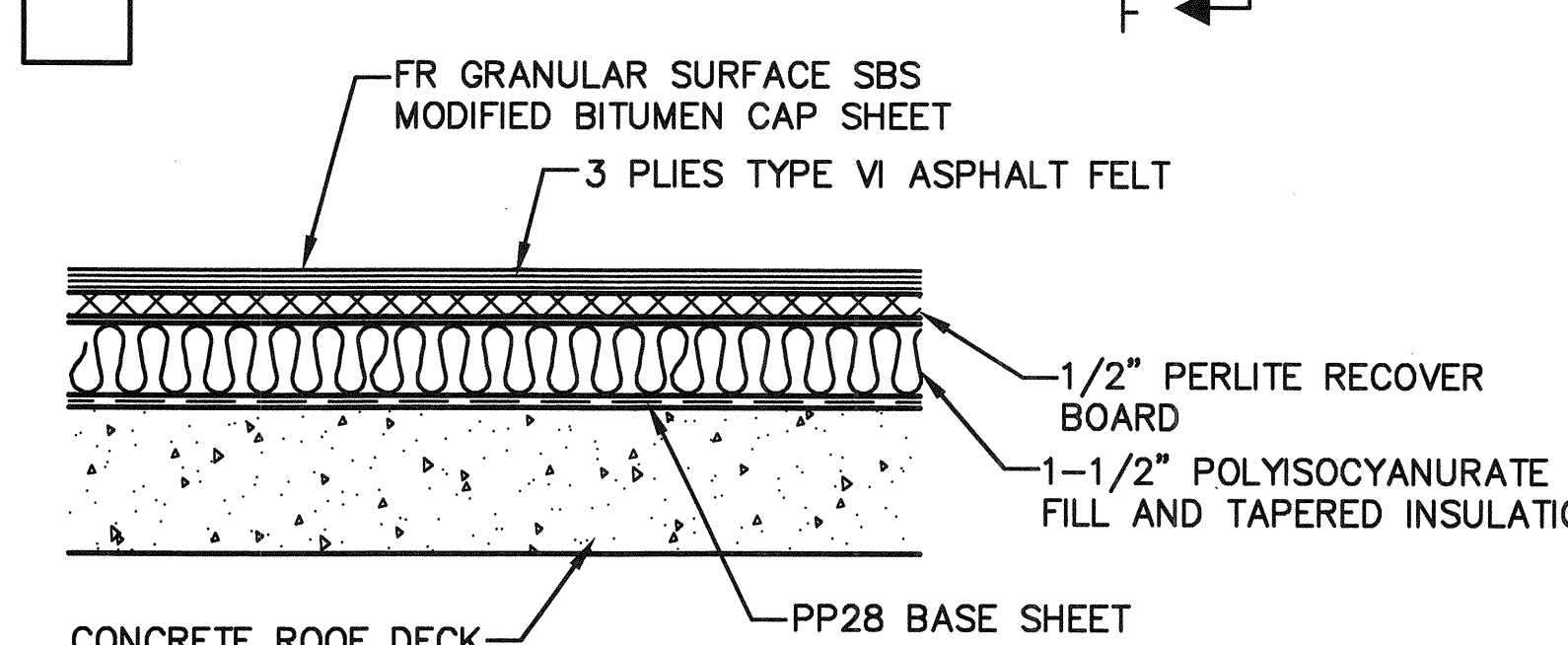
SCALE: 3/16"=1'-0"	DRAWN BY: JDL	CHECKED BY: FA
PROJECT NO: 12.0103	DATE: 6/18/2012	SHEET R1 OF 4



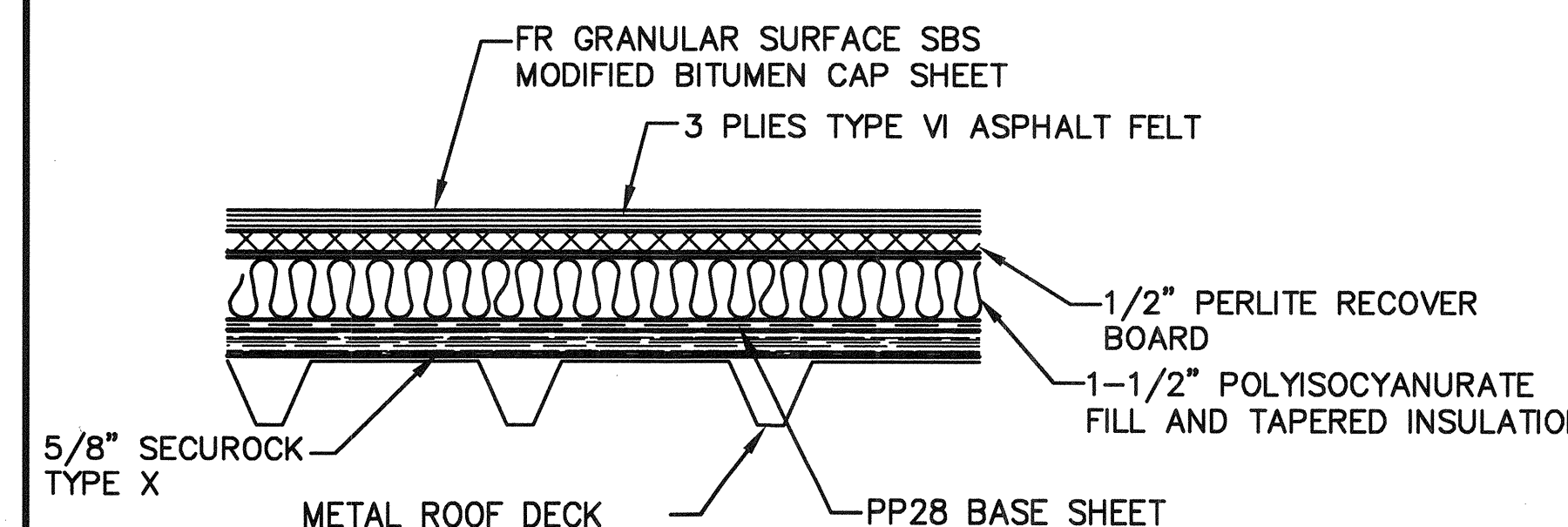
- LEGEND**
- ⊗ ROOF DRAIN
 - ▽ ROOF HATCH
 - GV GRAVITY VENTILATOR
 - AC AC/HVAC
 - PP PITCH PAN
 - VP/PP VENT PIPE IN PITCH PAN
 - ±27' CHANGE IN ROOF ELEVATION (DOWN)
 - S SCUPPER
 - DS DOWNSPOUT
 - L LADDER
 - CH CONDUCTOR HEAD



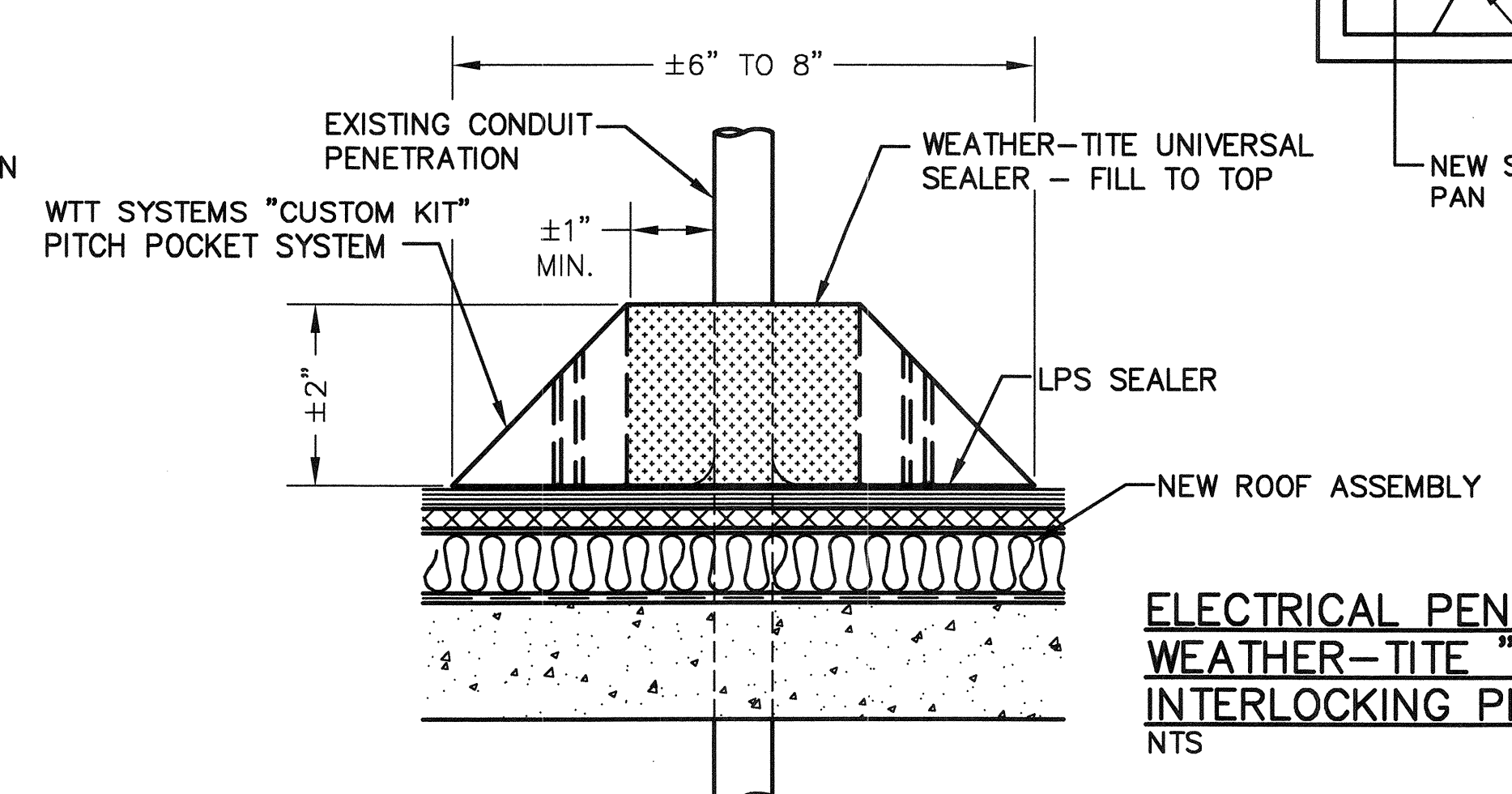
NEW ROOF PLAN
SCALE: 3/16"=1'-0"



NEW ROOF ASSEMBLY-AREA A AND E
NTS

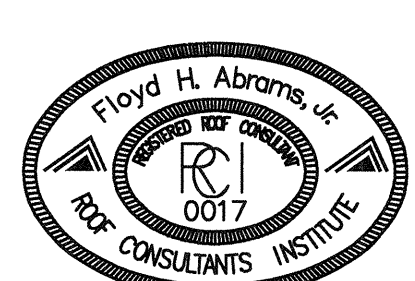


NEW ROOF ASSEMBLY-AREA B,C,D,F AND G
NTS

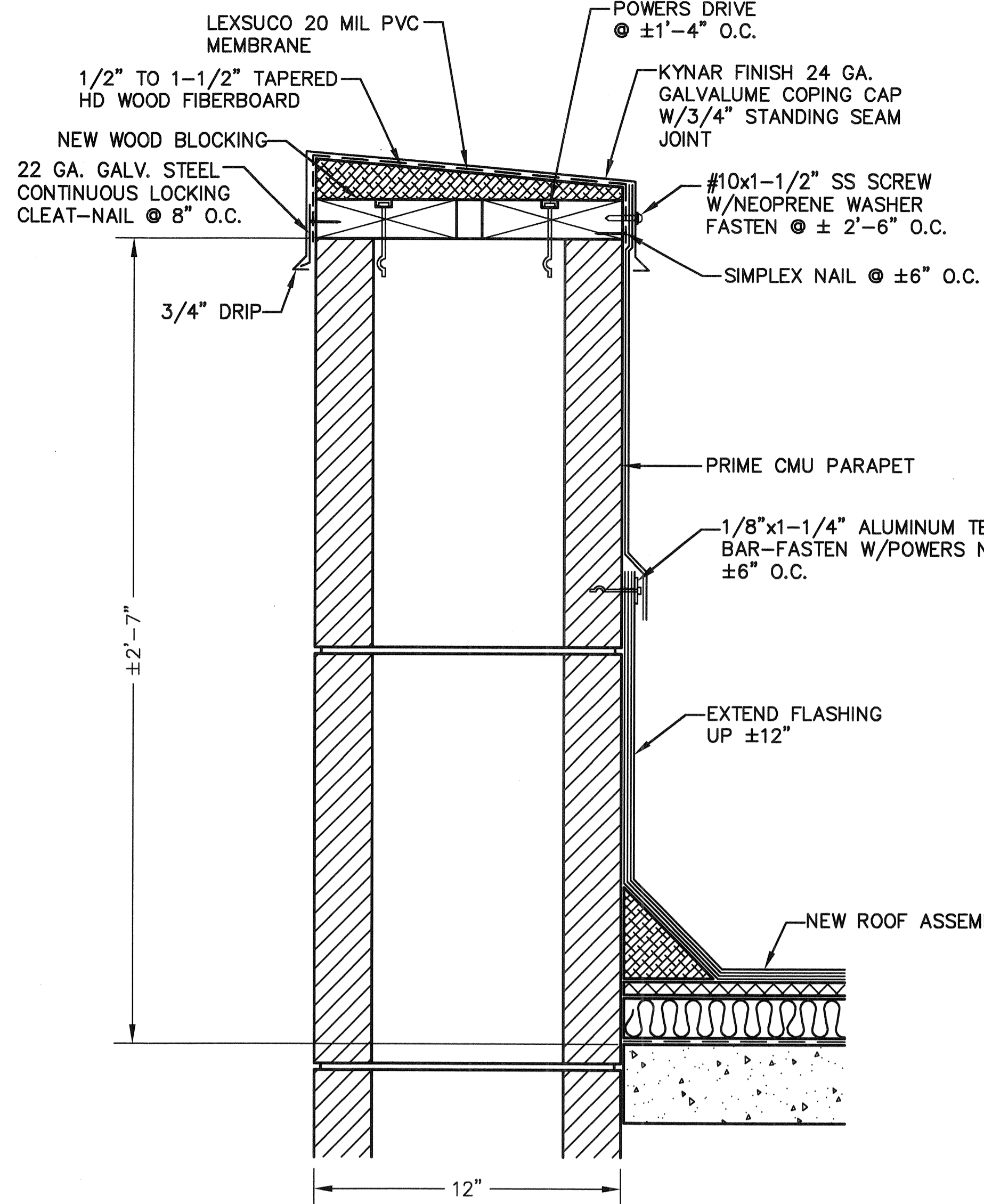


ELECTRICAL PENETRATION WEATHER-TITE "LOCKIN' POCKETS" INTERLOCKING PITCH POCKET
NTS

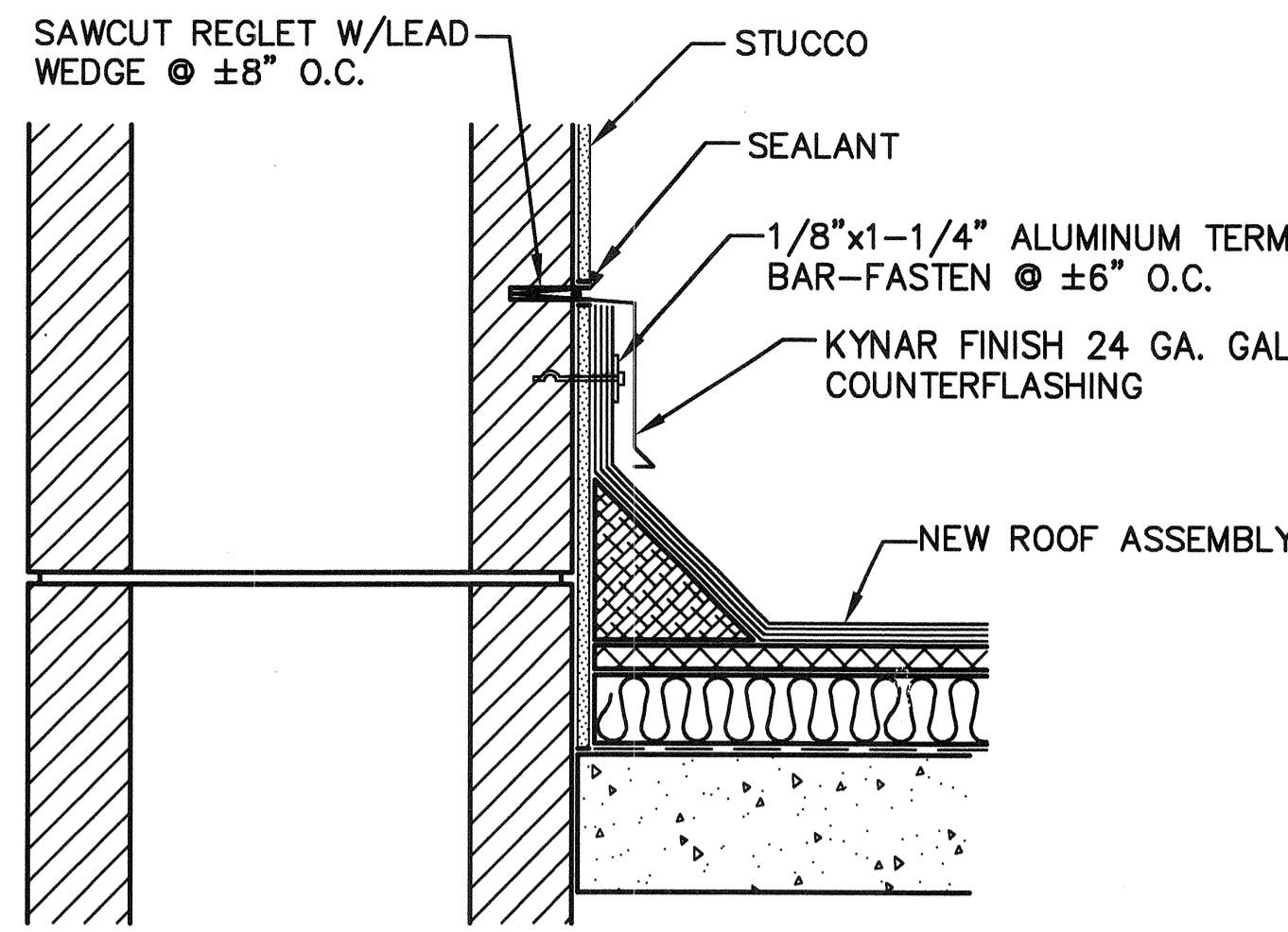
REMOVE EXISTING STEEL PIPE DOWN PIPE. INSTALL NEW SHEET METAL DOWNSPOUT UNDER EXISTING STEEL PIPE ELBOW (TOW REQUIRED)



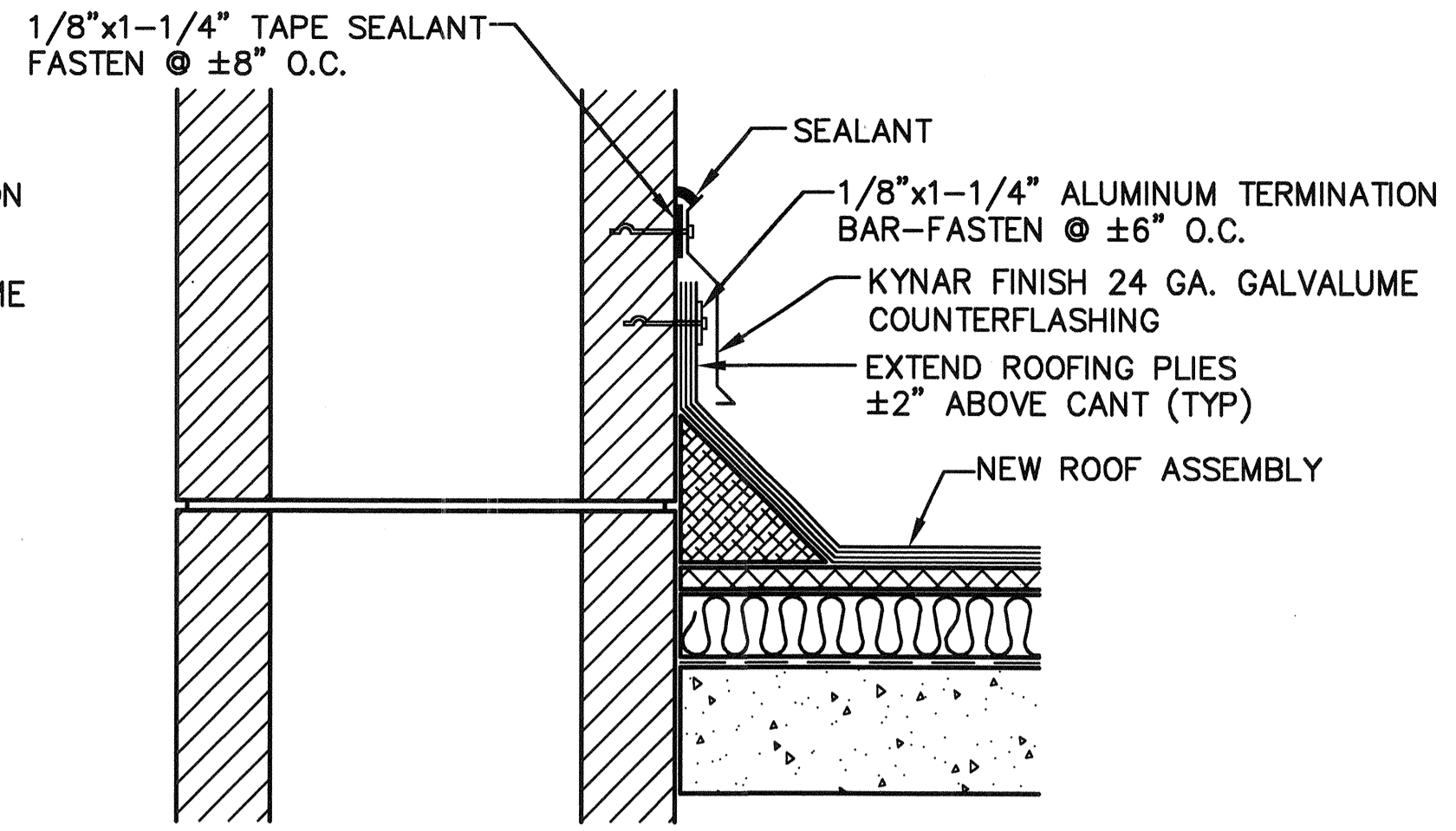
REV. NO.	DESCRIPTION	DATE
	CRF DM 1600 HAMPTON ANNEX ROOF REPLACEMENT NEW ROOF PLAN	
	STATE PROJECT NO. H27-6094 UNIVERSITY OF SOUTH CAROLINA COLUMBIA, SOUTH CAROLINA	
FLOYD ABRAMS COMPANY COLUMBIA, SOUTH CAROLINA		Roof Consulting Services
SCALE: 3/16"=1'-0"	DRAWN BY: JDL	CHECKED BY: FA
PROJECT NO: 12.0103	DATE: 6/18/2012	SHEET R2 OF 4



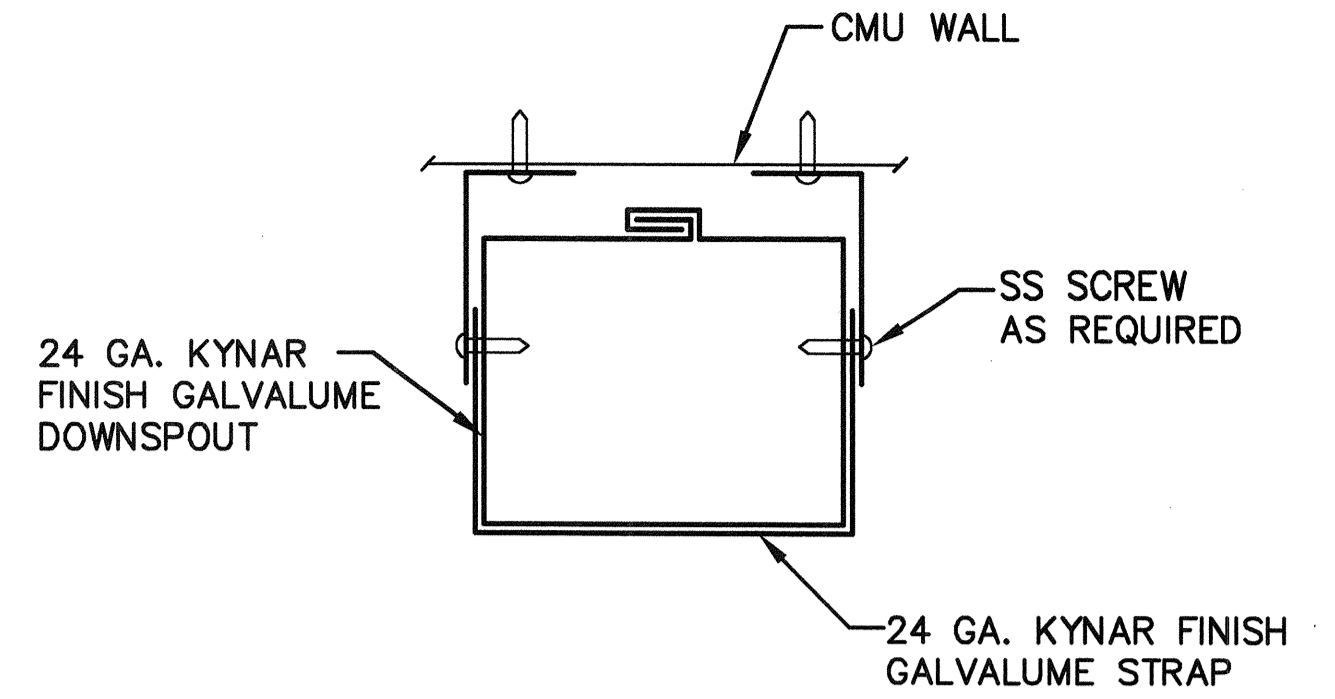
SECTION A-A
NTS



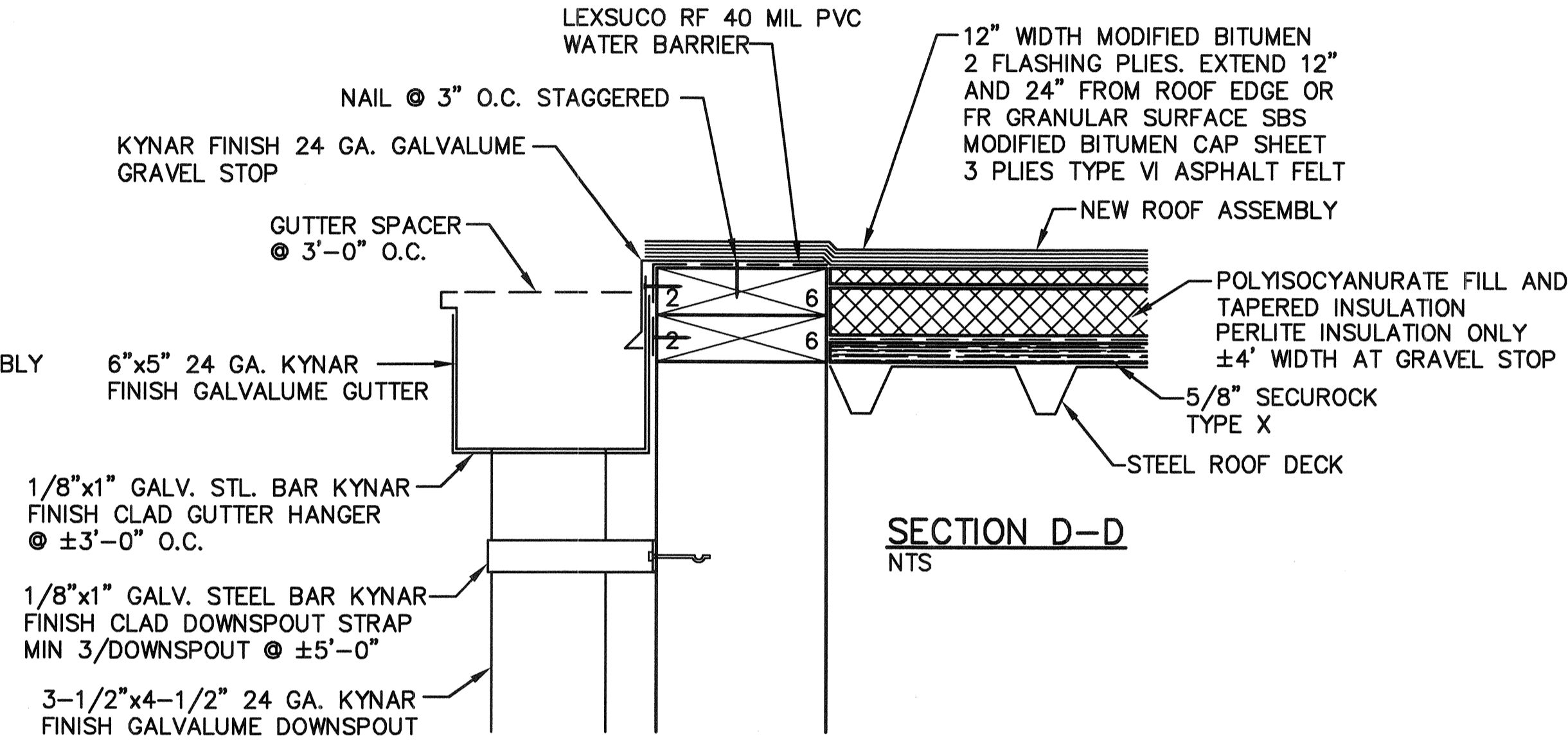
SECTION B-B
NTS



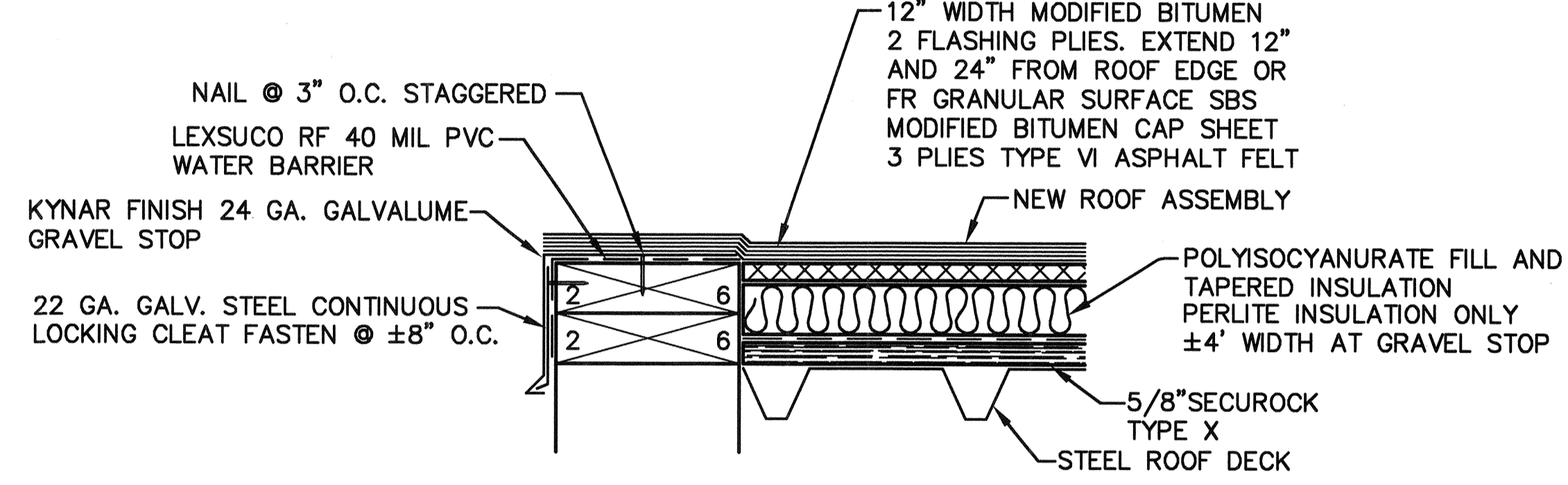
SECTION C-C
NTS



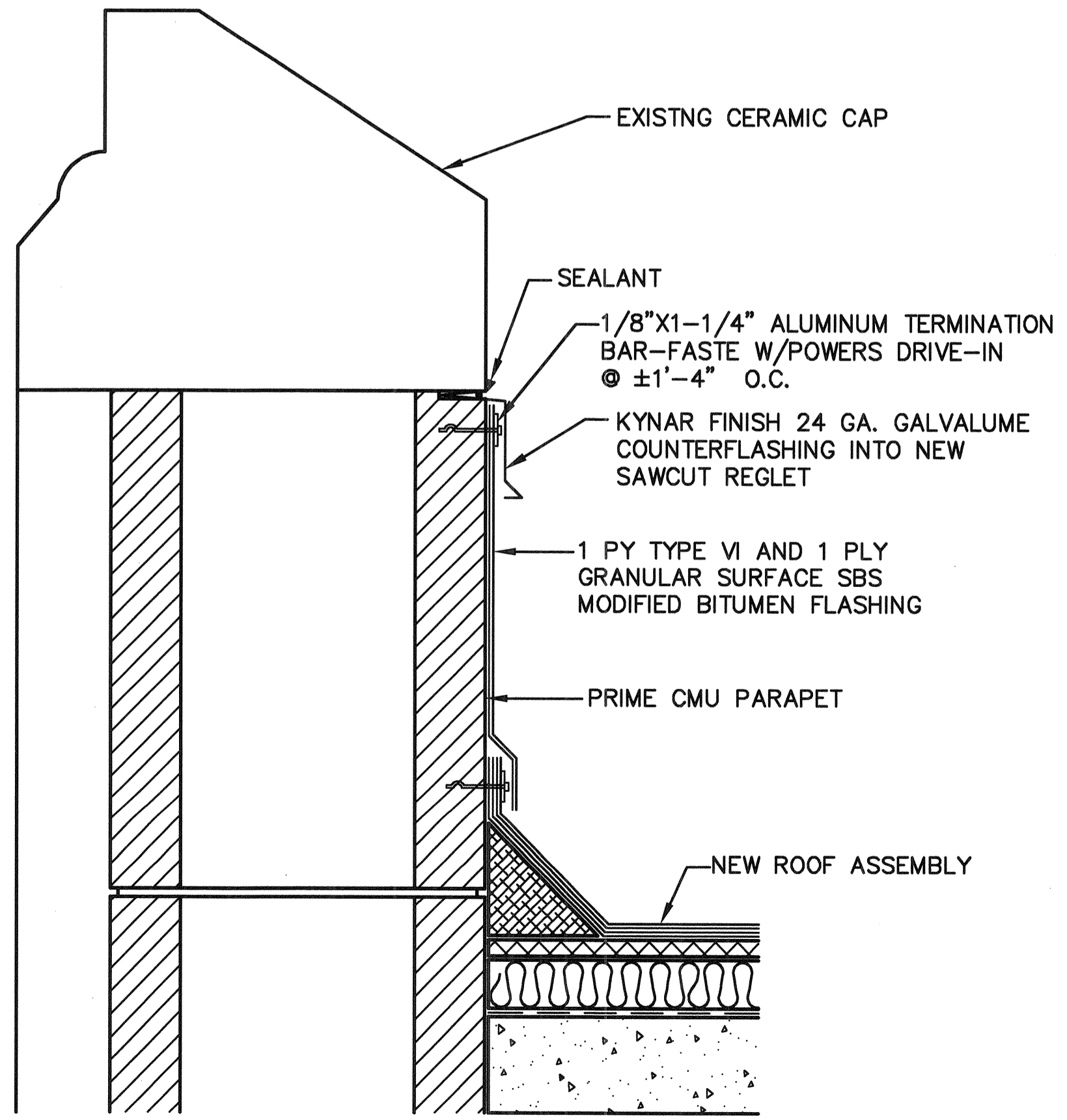
DOWNSPOUT DETAIL
NTS



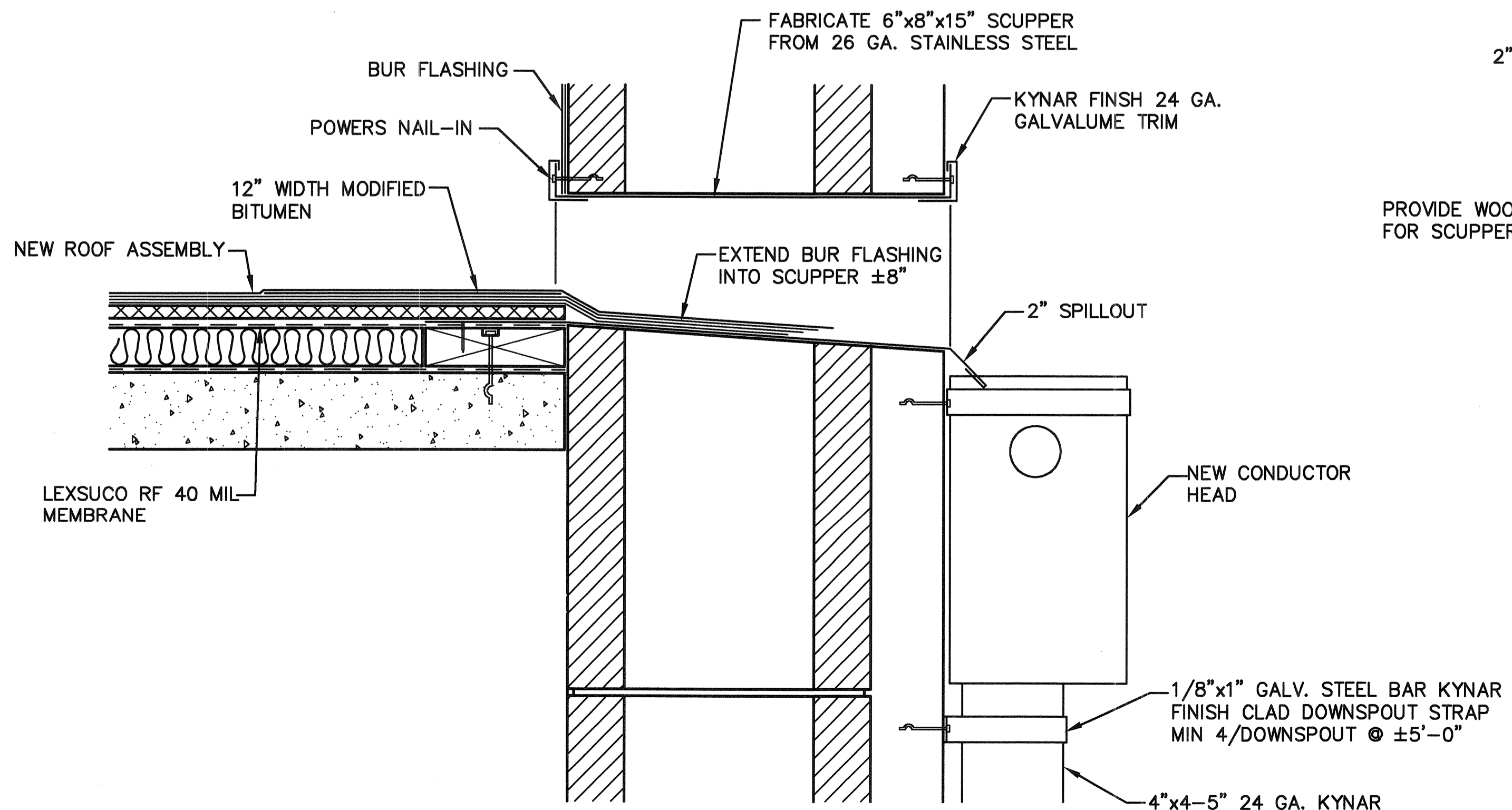
SECTION D-D
NTS



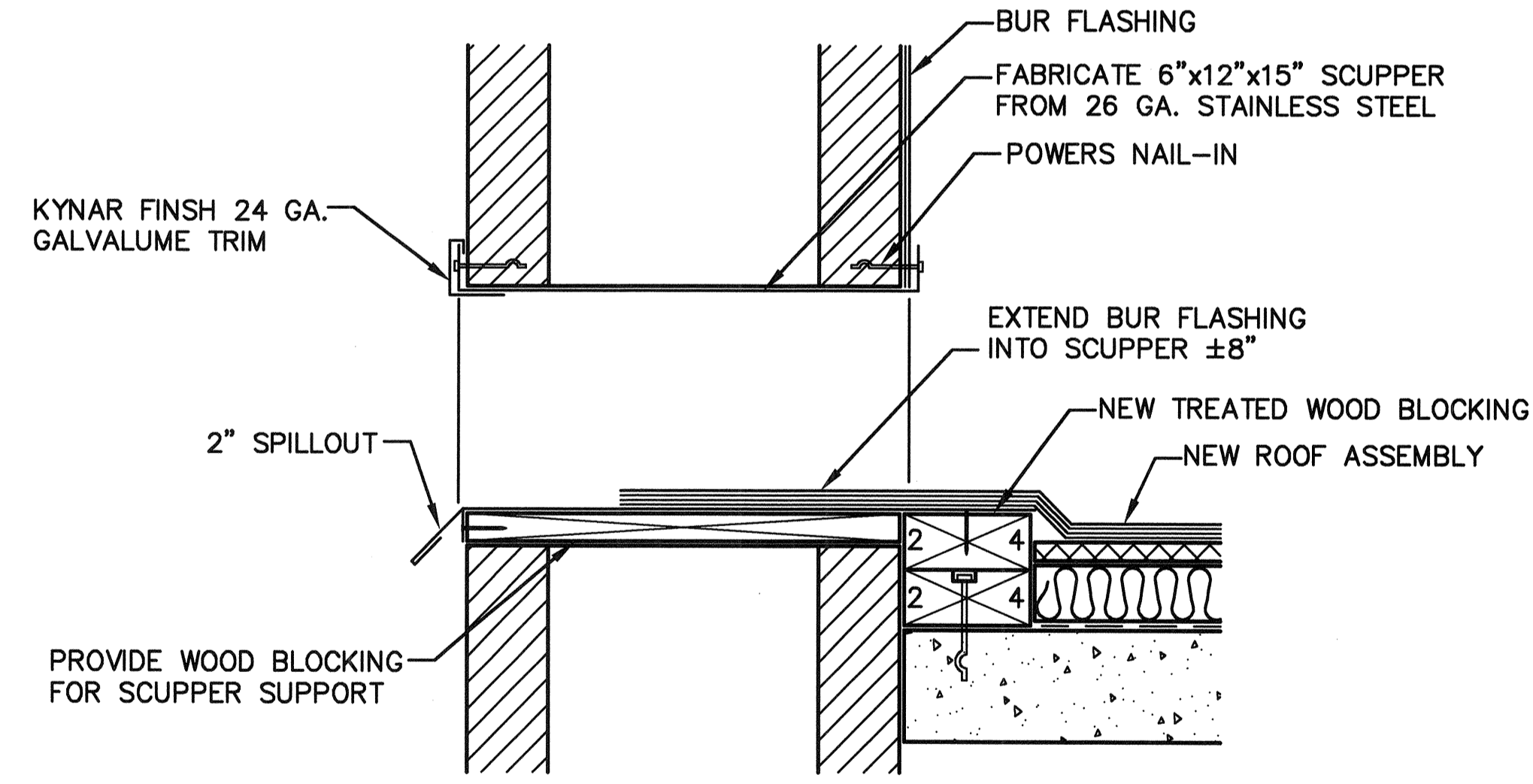
SECTION E-E
NTS



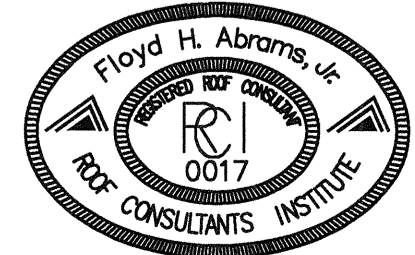
SECTION F-F
NTS



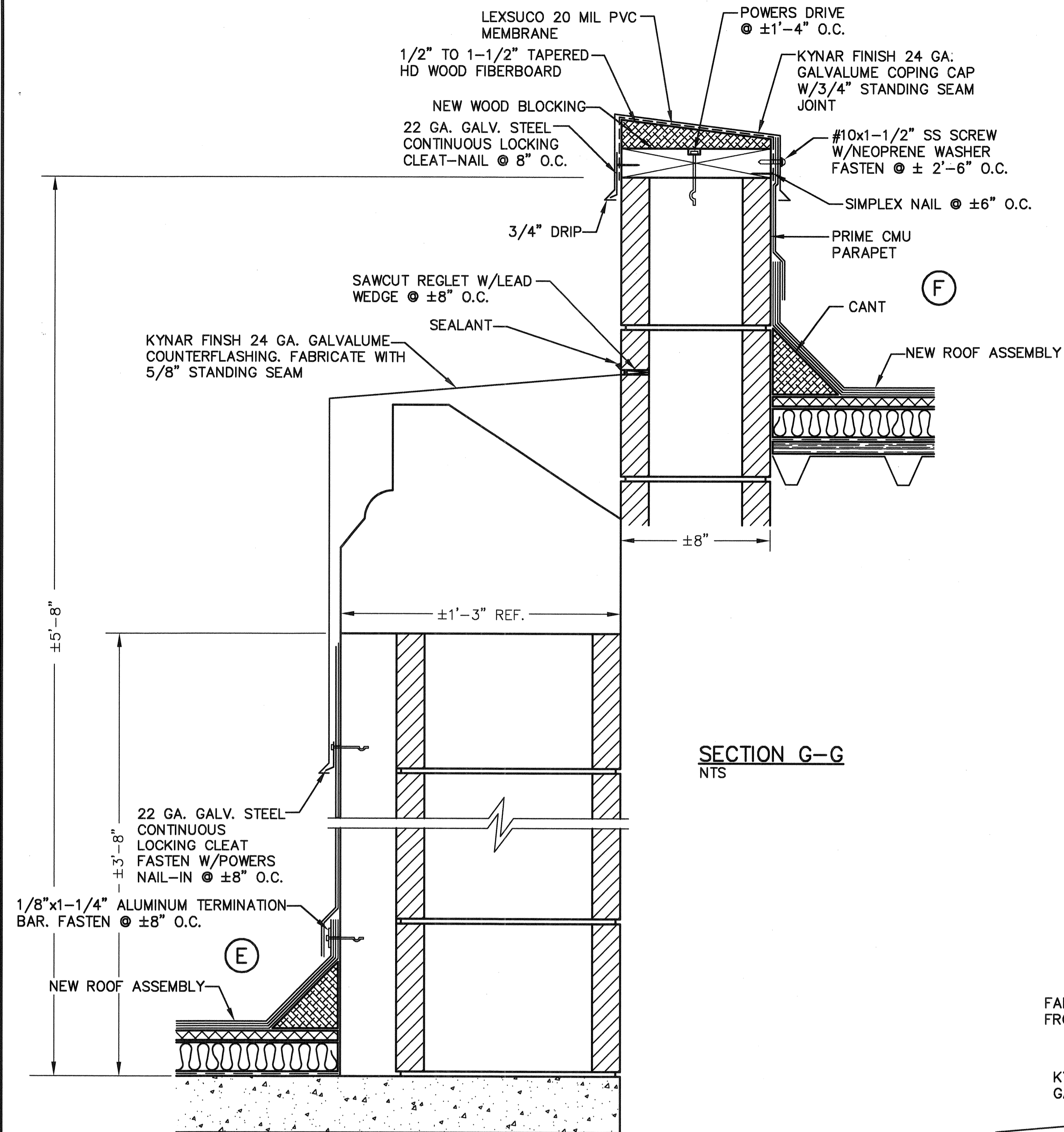
SCUPPER DETAIL-AREA E
NTS



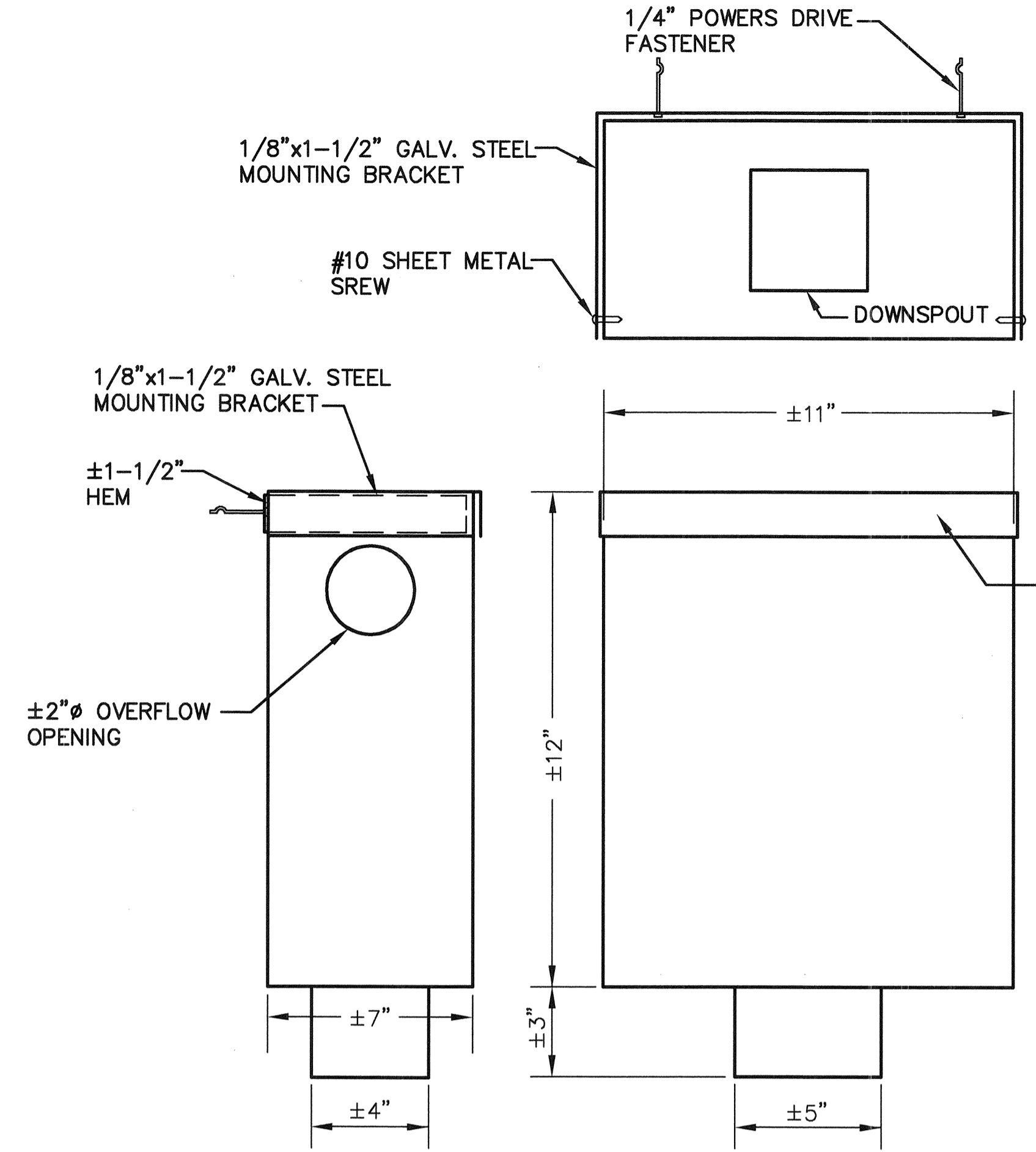
SCUPPER DETAIL-AREA A
NTS



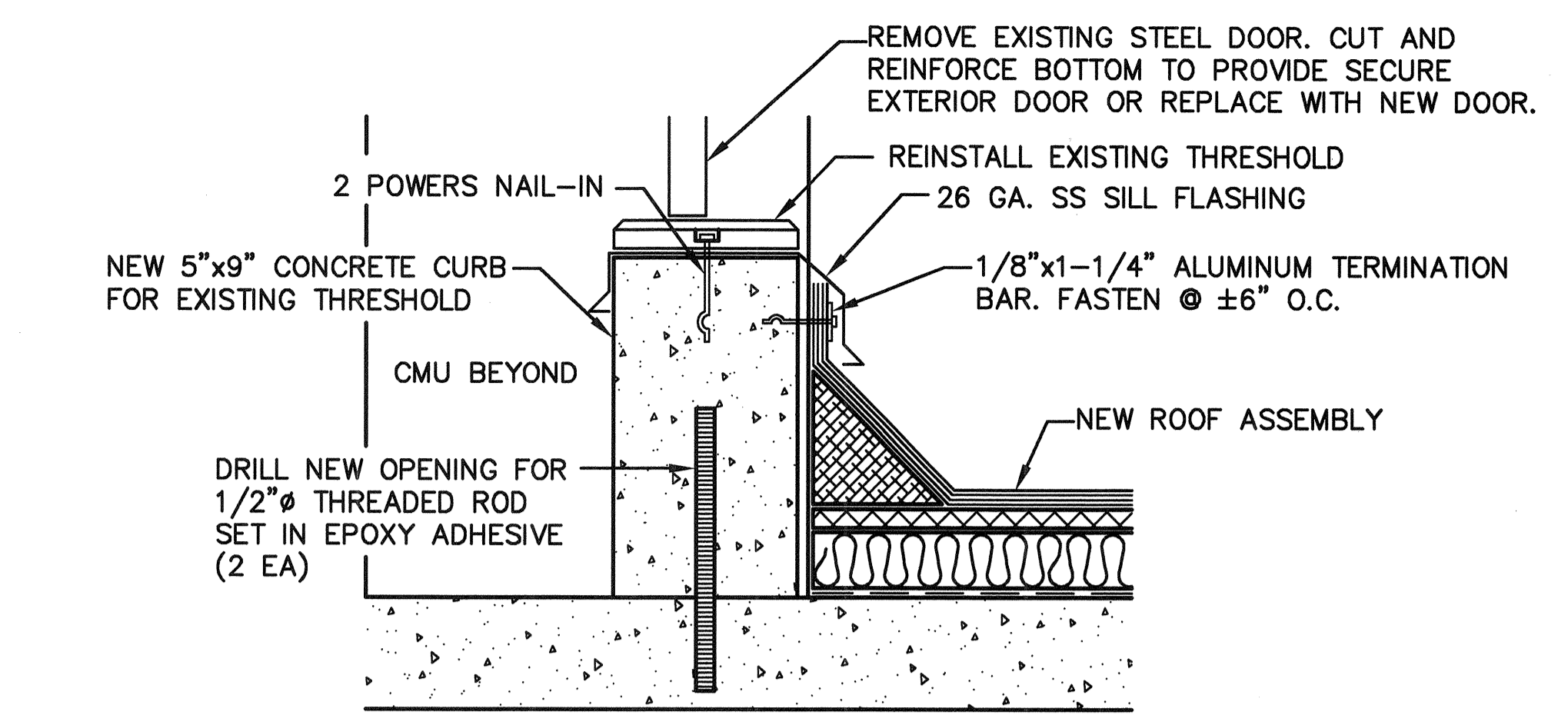
REV. NO.	DESCRIPTION	DATE
	CRF DM 1600 HAMPTON ANNEX ROOF REPLACEMENT SECTIONS AND DETAILS STATE PROJECT NO. H27-6094 UNIVERSITY OF SOUTH CAROLINA COLUMBIA, SOUTH CAROLINA	
	FLOYD ABRAMS COMPANY COLUMBIA, SOUTH CAROLINA	Roof Consulting Services
SCALE: NTS	DRAWN BY: JDL	CHECKED BY: FA
PROJECT NO: 12.0103	DATE: 6/18/2012	SHEET R3 OF 4



SECTION G-G
NTS

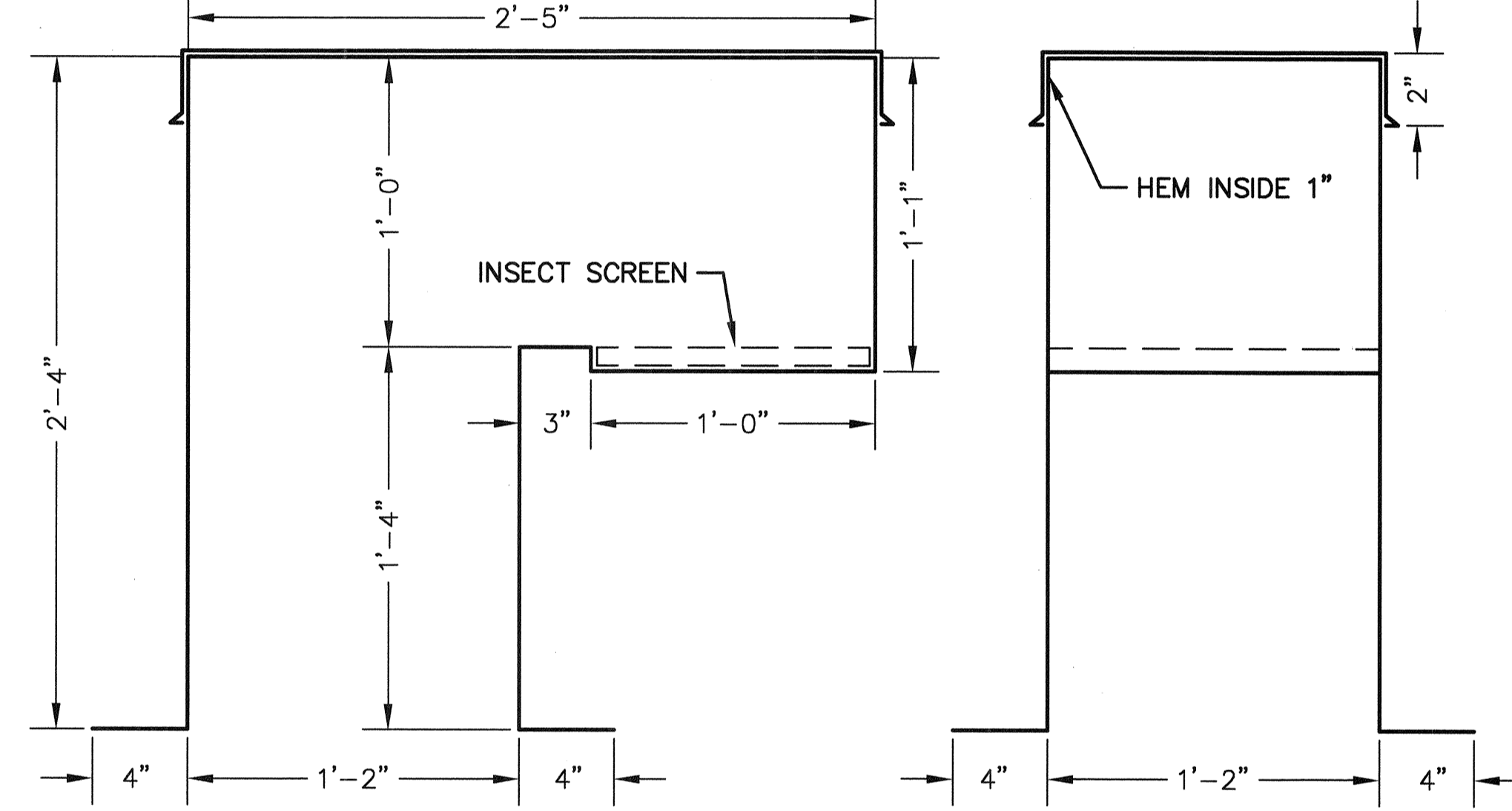


CONDUCTOR HEAD DETAIL
NTS

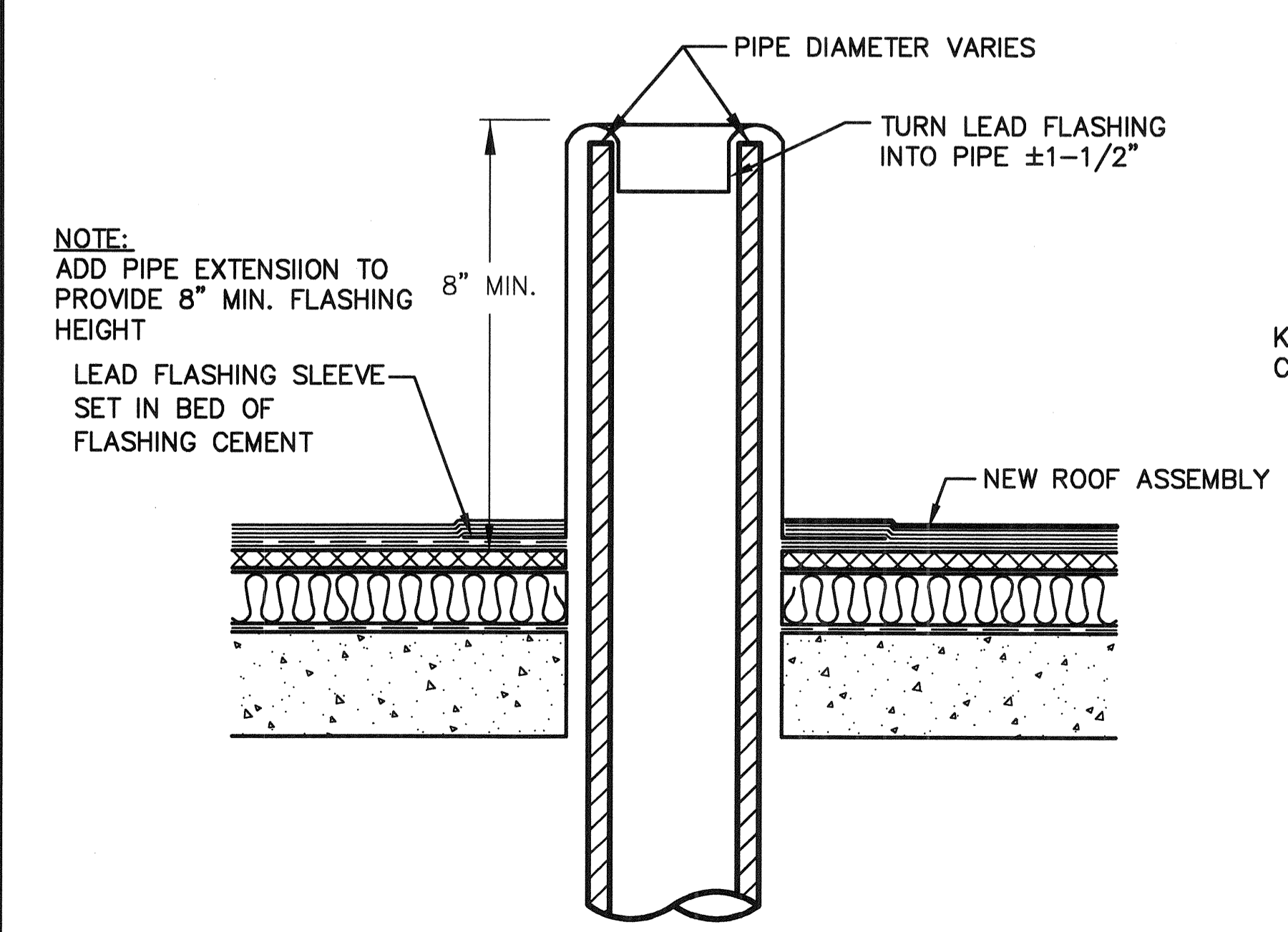


DOOR THRESHOLD DETAIL - ROOF AREA A
NTS

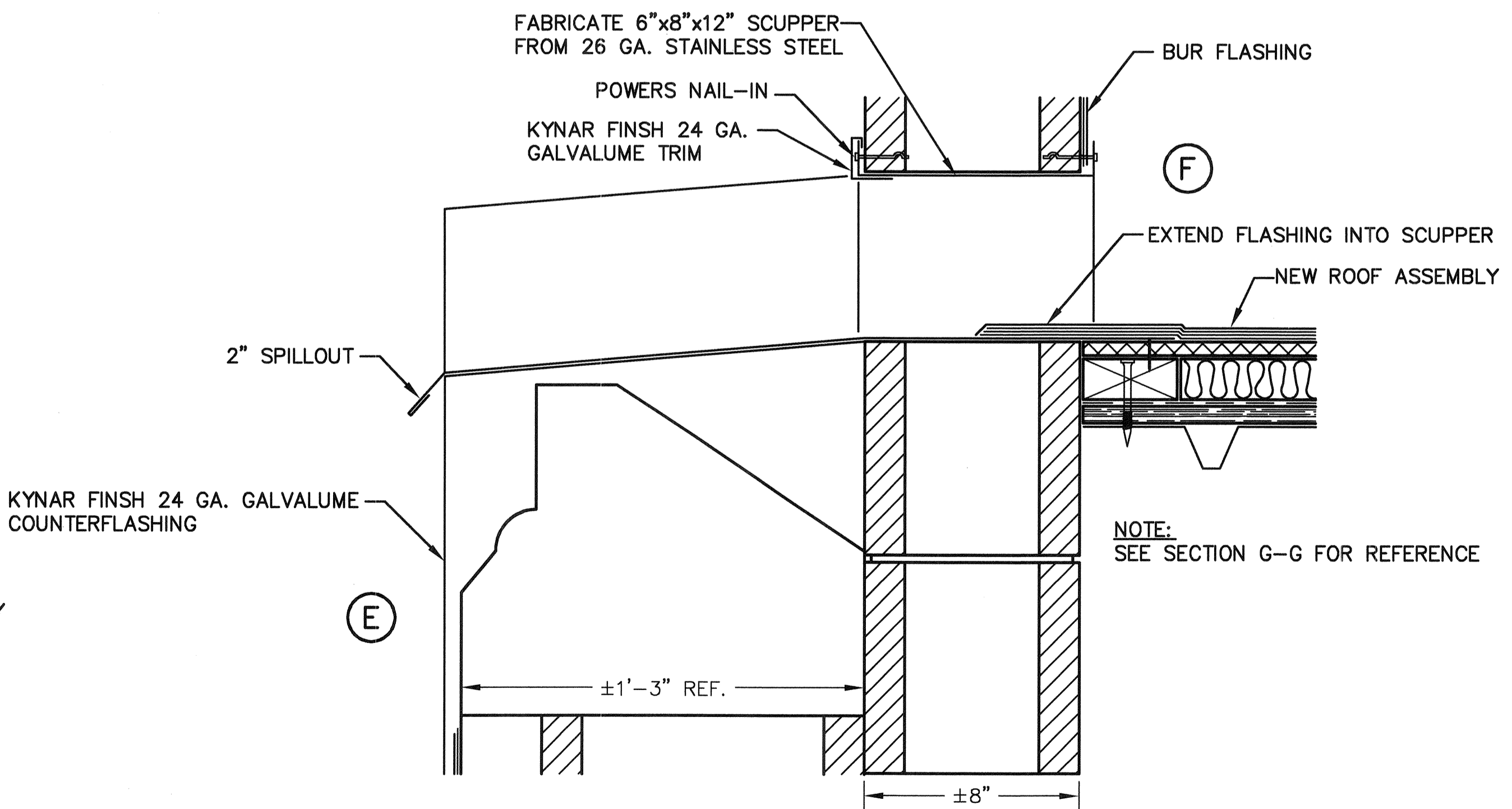
- NOTES:**
1. FABRICATE UNIT FROM 0.050 IN. MF ALUMINIUM. REMOVABLE TOP MAY BE FABRICATED FROM 0.040 IN. MF ALUMINIUM.
 2. HELIARC WELD ALL CORNERS, FILL CORNERS AT MOUNTING FLANGE TO ENSURE WATERTIGHT CONSTRUCTION.
 3. HEM ALL EXPOSED EDGES AS NOTED.
 4. SECURE TOP WITH TWO (2) SS SCREW AND WASHERS EACH LONG SIDE.
 5. SECURE MOUNTING FLANGE TO WOOD BLOCKING WITH #14 SS SCREWS @ 12" O.C.



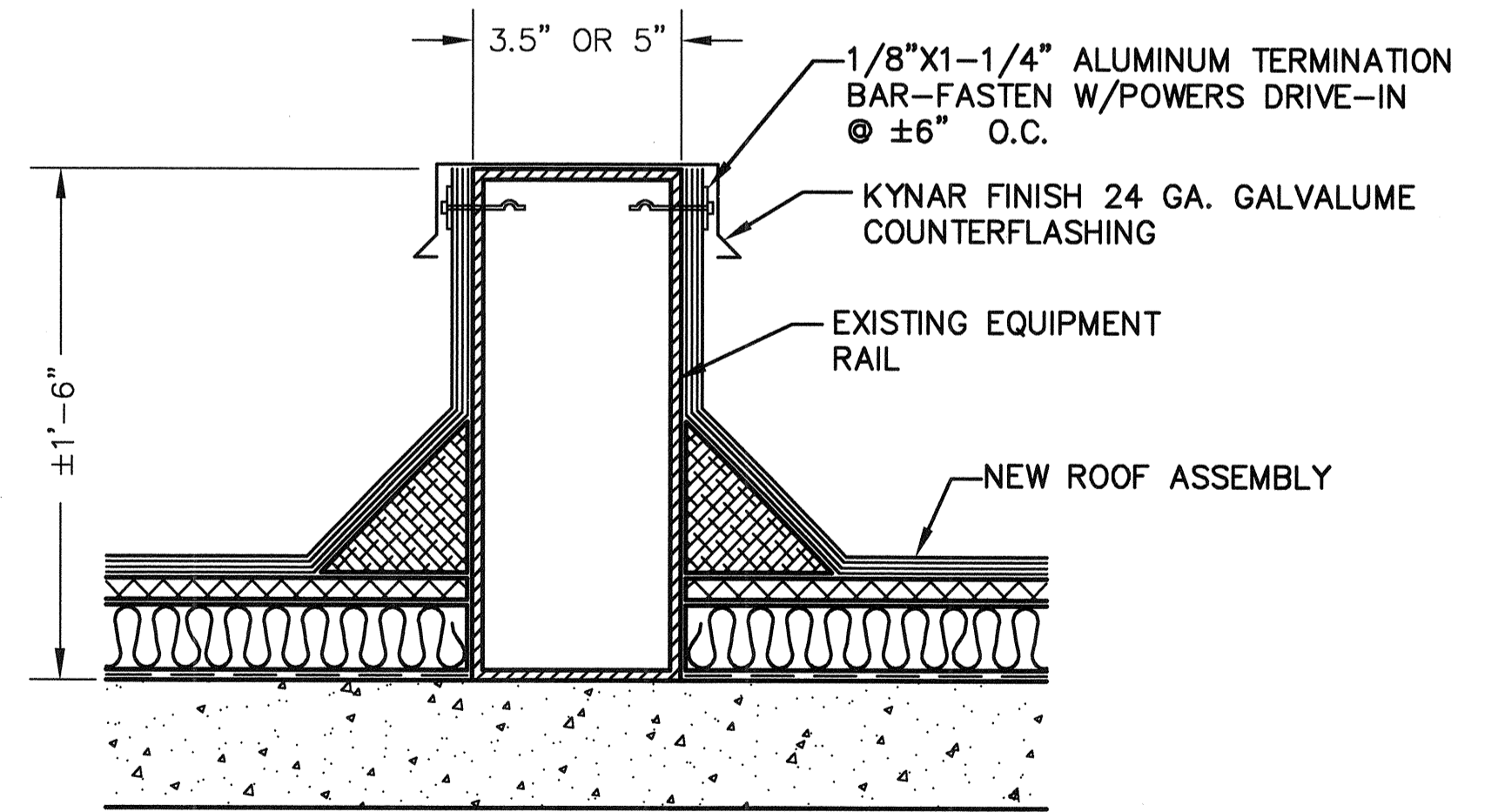
PELICAN HOOD DETAIL
NTS



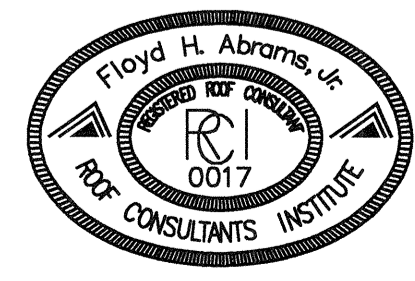
TYPICAL VENT PIPE DETAIL
NTS



SCUPPER-AREA F
NTS



EQUIPMENT RAIL FLASHING DETAIL
NTS



REV. NO.	DESCRIPTION	DATE
CRF DM 1600 HAMPTON ANNEX ROOF REPLACEMENT SECTIONS AND DETAILS STATE PROJECT NO. H27-6094 UNIVERSITY OF SOUTH CAROLINA COLUMBIA, SOUTH CAROLINA		
FLOYD ABRAMS COMPANY COLUMBIA, SOUTH CAROLINA		Roof Consulting Services
SCALE: NTS	DRAWN BY: JDL	CHECKED BY: FA
PROJECT NO: 12.0103	DATE: 6/18/2012	SHEET R4 OF 4